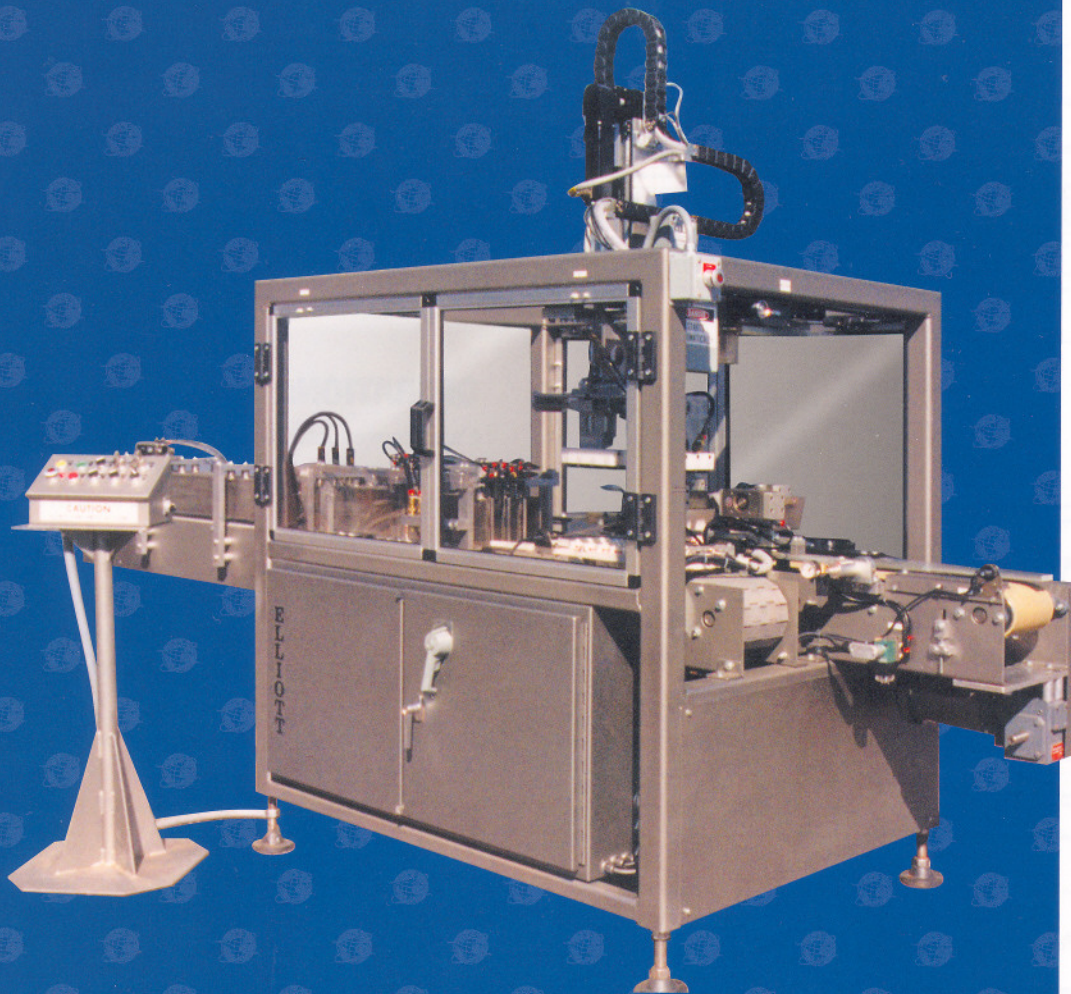


9110

SERVOPAC AUTOMATIC PICK AND PLACE CASE PACKER



SPECIFICATIONS

OPERATING SPEEDS

Up to 30 cpm

STANDARD CASE RANGE

Length 8" to 23"

Width 6" to 16"

Height 5" to 16"

ELECTRICAL

230/460 volts, 3 phase, 60 hz

NEMA 12 electrical

PNEUMATICS

2.3 cfm, per cycle @80 psi

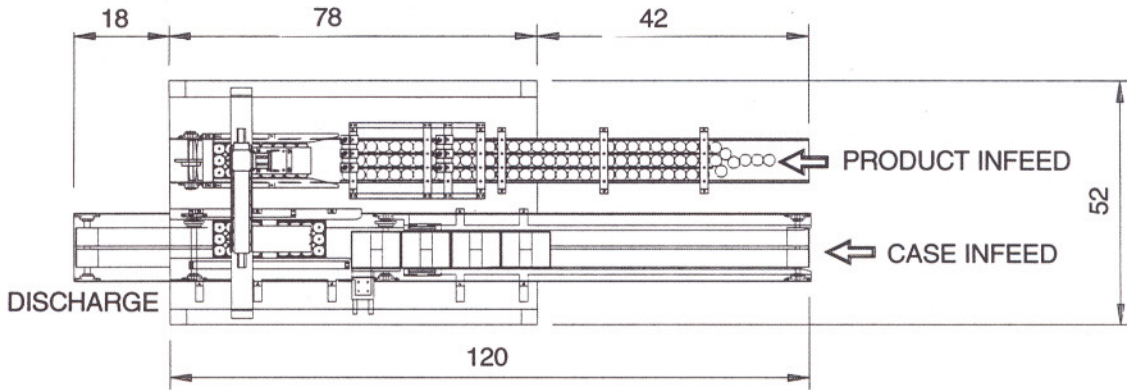
The Elliott Model 9110 Servopac Automatic Pick and Place Case Packer is designed for gentle handling and case packing of a variety of products.

- Fully programmable
- Heavy-duty construction
- Gentle handling of product
No drop = reduced product damage
- Fully automatic operation
- No product – No pick
No case – No pick
- Auto stop if fault is detected
- Full perimeter guarding with safety interlocks
- Open design for easy access and cleaning
- Packs a wide variety of products:
bottles, bags, cartons, overwrap packages
- Mechanical and vacuum pick heads available

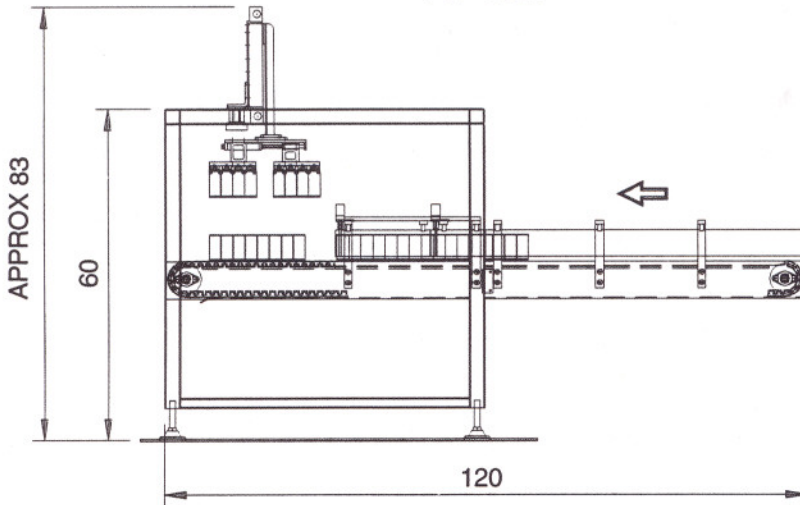


2664 S. Cherry • P.O. Box 11277 • Fresno, CA 93706
559/233-6235 • FAX 559/233-9833
Email: elliottmfg@elliott-mfg.com • www.elliott-mfg.com

9110 SERVOPAC AUTOMATIC PICK AND PLACE CASE PACKER



TOP VIEW



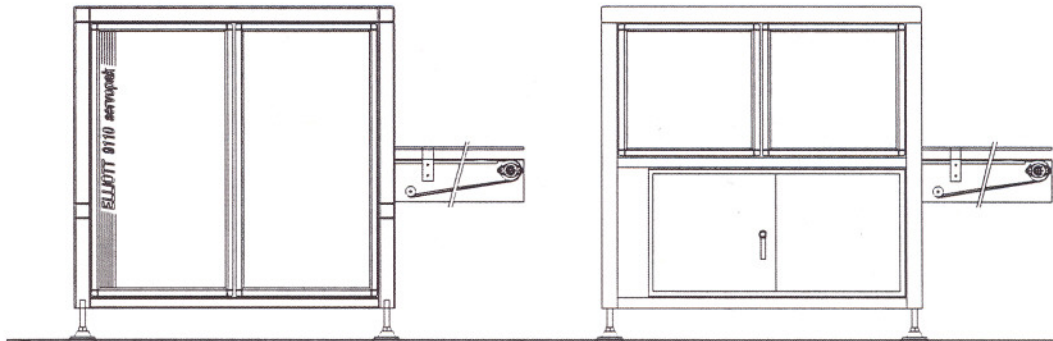
ELEVATION VIEW
W/ PRODUCT INFEED

OPERATION:

Cases moved into packing area. Index gates stop and position cases. Machine senses that cases are in position and instructs system to begin Pick and Place Cycle. Case and flap positioners engage and control case flaps.

Pick head is lowered over product, gripping each individual container. The containers are lifted from the pick area and travel to the packing area.

Pick head places containers into cases and returns to the picking position. Filled cases are discharged while empty cases are moved into packing area.



ELEVATION VIEWS
W/ GUARDING



2664 S. Cherry • P.O. Box 11277 • Fresno, CA 93706
559/233-6235 • FAX 559/233-9833
Email: elliottmfg@elliott-mfg.com • www.elliott-mfg.com