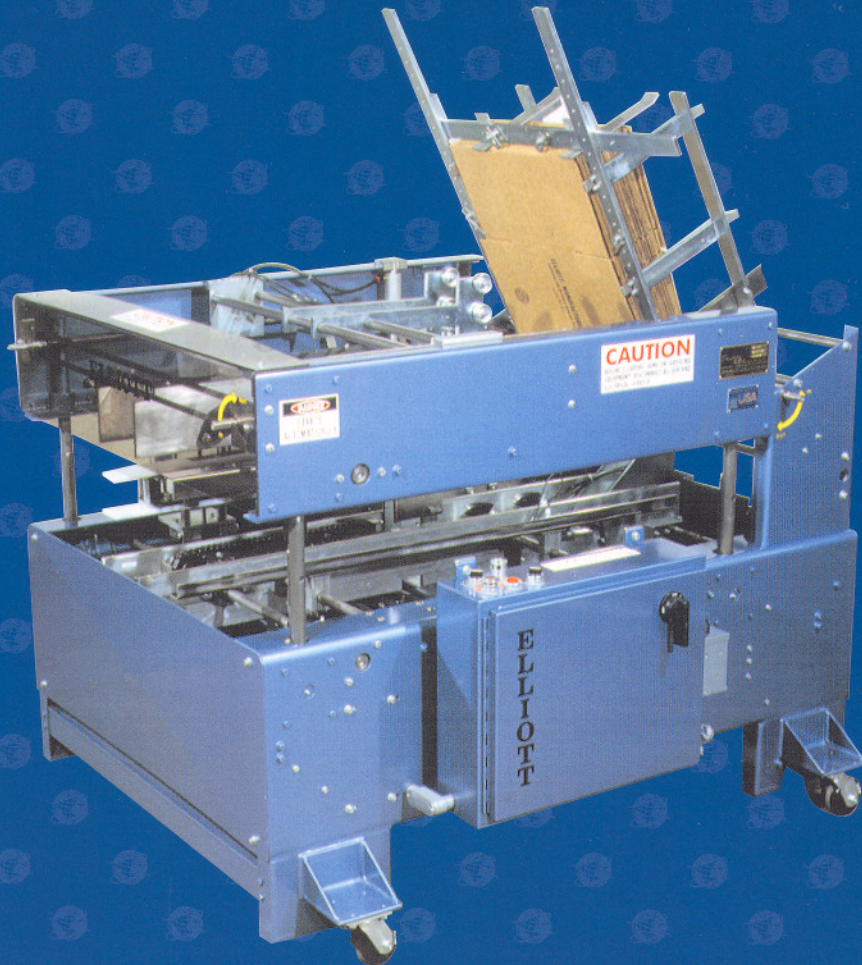


93SFIL

**AUTOMATIC CASE ERECTOR
BOTTOM CASE GLUER
HOT MELT GLUER**



SPECIFICATIONS

OPERATING SPEEDS

Up to 15 cases per minute

CASE RANGE

Length 6" to 18"
Width 6" to 16"
Depth 6" to 16"

OVERALL DIMENSIONS

Length 5' 6"
Width 48"
Discharge Height 24"

ELECTRICAL

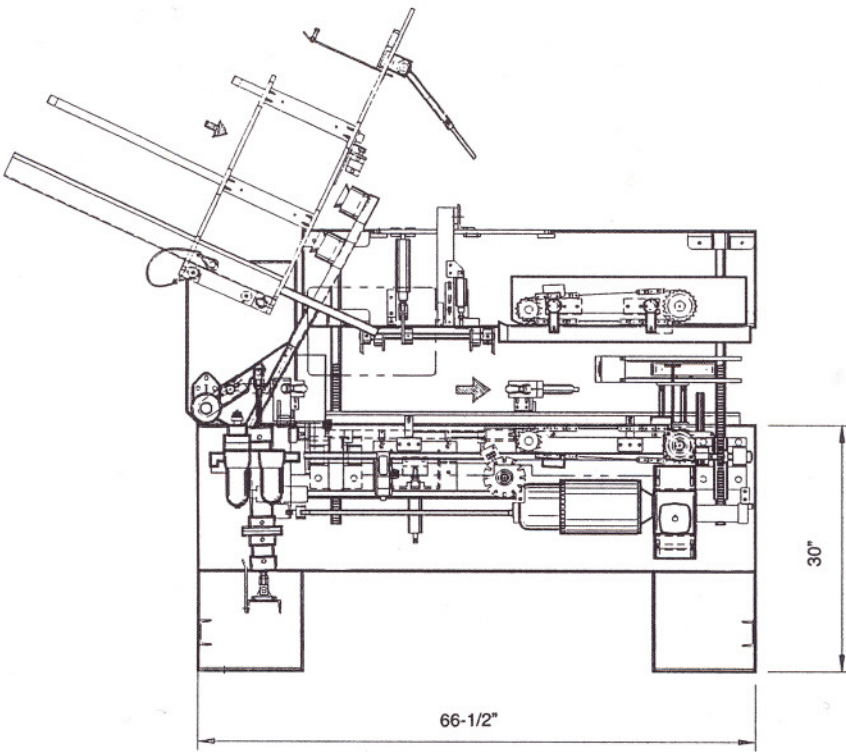
460/230 volt, 3 phase, 60 hz
NEMA 12 electrical

The Elliott Automatic Case Erector Bottom Taper or Hot Melt Gluer is a compact machine for erecting and sealing a wide range of case sizes in a limited space. It is portable and quickly adjustable for changing case sizes. The erector is built within a single unitized machine frame. Squared cases are assured by case transfer system. Right-hand quick change crank adjustments and safety guards.

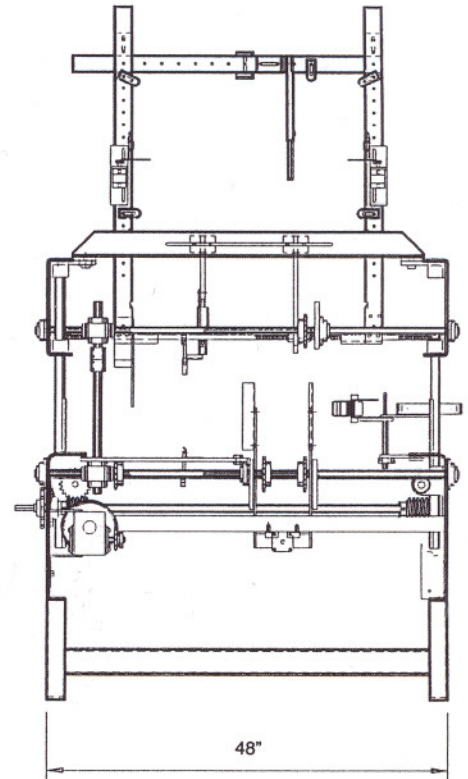


2664 S. Cherry • P.O. Box 11277 • Fresno, CA 93706
559/233-6235 • FAX 559/233-9833
Email: elliottmfg@elliott-mfg.com • www.elliott-mfg.com

93SFIL AUTOMATIC CASE ERECTOR BOTTOM CASE TAPER OR HOT MELT GLUER



ELEVATION VIEW
W/ SIDE REMOVED



END VIEW
ASSEMBLY FOR L.H. CASE
ELEVATION & END VIEW



2664 S. Cherry • P.O. Box 11277 • Fresno, CA 93706
559/233-6235 • FAX 559/233-9833
Email: elliottmfg@elliott-mfg.com • www.elliott-mfg.com